

2014-2-28

## ZAFC106

### HEAT RESISTANT DOUBLE LAYER EXPLOSION-PROOF CAMERA HOUSING

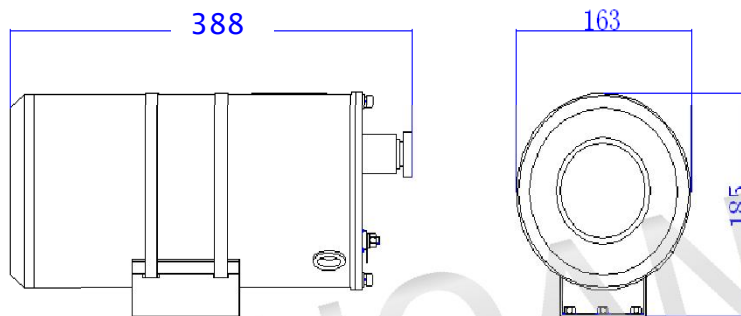
#### MAIN FEATURES

- dual layer housing of stainless steel 304 or 316L
- optional electropolished or corrosion resistant paint finish
- Double Ex-proof marking: Exd & DIP
- Optional power input: DC12V, AC24V, AC100~240V, POE power supply
- ZAFC106-S-F, air cooling housing, resist 150°C(302°F)
- ZAFC106-S-S, water cooling housing, resist 250°C (482°F)
- Application: extreme area with high temperature monitoring, like chemical, petroleum processing factory, furnace monitoring



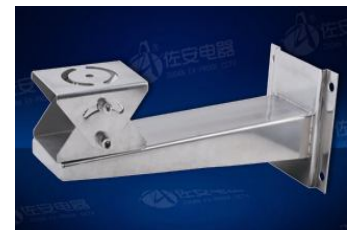
ZAFC106

#### DRAWINGS



Back side

| Model                     | ZAFC106-S-F                                | ZAFC106-S-S                |
|---------------------------|--|----------------------------|
| Atmospheric pressure      | 80KPa~110Kpa                               |                            |
| Relative Humidity         | ≤95% (+25°C)                               |                            |
| Ex-proof mark             | Ex d II CT6 & DIP A20, TA, T6              |                            |
| Explosion proof Certified | CNEEx 13.4248                              |                            |
| Window glass              | 8mm thickness tempered glass               |                            |
| Ingress Protection        | IP68                                       |                            |
| Optional Voltage Input    | AC24V, AC100~240V, DC12V, POE POWER SUPPLY |                            |
| Overall dimension         | 388*163*185 mm                             |                            |
| Net weight                | 9.1 kg                                     |                            |
| Housing Material          | Stainless Steel 304                        |                            |
| Cooling Way               | compressed air                             | circulate cooling water    |
| Cooling media pressure    | ≤35°C(95°F), air supply:0.4-1.0L/s         | water: 2800 liter per hour |



ZA100B WALL BRACKET



FLEXIBLE TUBE

specifications subject to change without notice.© ZUO AN all rights reserved.

 skype: cookee.lee  
 tel +86-15295033359